

A few examples of our customers

Airport
Changi Airport (Terminal 1)
Singapore



Hotel
Hyatt Regency Paris
France



Educational Institution
Edith Cowan University
Australia



Museum
California Academy of Sciences
USA



Retailer
Carrefour
France



Hospital
Aizawa Hospital
Japan



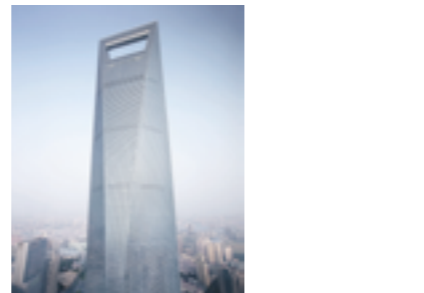
Retailer
Costco Wholesale Corporation
USA



Educational Institution
Sheffield University
UK



Office Building
Shanghai World Financial Center
China



“Jet Towel” is a trademark of Mitsubishi Electric Corporation.

More case studies on the Jet Towel App!
The Jet Towel App contains product information,
a cost estimation tool, and much more!



<https://itunes.apple.com/ae/app/mitsubishi-jet-towel-app/id1091122605?mt=8>

Mitsubishi Electric Hand Dryer website

<http://www.MitsubishiElectric.com/bu/handdryer/>

MITSUBISHI ELECTRIC CORPORATION
HEAD OFFICE : TOKYO BLDG., 2-7-3 MARUNOUCHI, CHIYODA-KU, TOKYO 100-8310, JAPAN

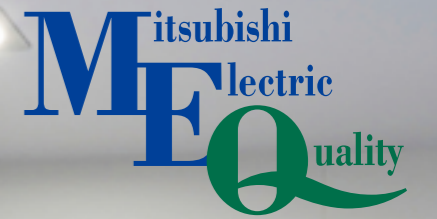
For Europe, Oceania, and South America

Revised publication, effective Dec. 2019
Superseding publication of S-175-6-C9640-C
Specifications are subject to change without notice.



HAND DRYER

Changes for the Better



Jet Towel™



9TH GENERATION
SLIM SERIES

Drying hands more quietly, more quickly
and with less energy since 1993.



SMART SERIES



* NSF/ANSI 169
* NSF certified models: JT-SB216JSH2,
JT-SB216KSN2, JT-S2AP, and JT-S2A

for a greener tomorrow

Mitsubishi Electric

Over 90 years of excellence

From pushing the limits of precision in microelectronics to producing cutting-edge satellites, Mitsubishi Electric has built a reputation as an innovator of key technologies and for use in outer space achieved amazing technological feats in a wide range of fields. With nearly a century's worth of experience coupled with a philosophy of uncompromising quality, Mitsubishi Electric is the company to count on.

Just a few of our achievements



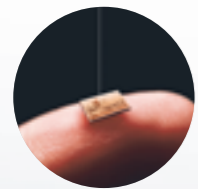
Power Semiconductors
DIPIPMs are compact power semiconductors that realize dramatically enhanced efficiency. Used in home appliances and other diverse applications, they contribute to significant energy savings.



Large-scale, High-purity Plastic Recycling
Our recycling technologies recover up to 70% of plastic for use in new products. Typically, only about 6% is recoverable.



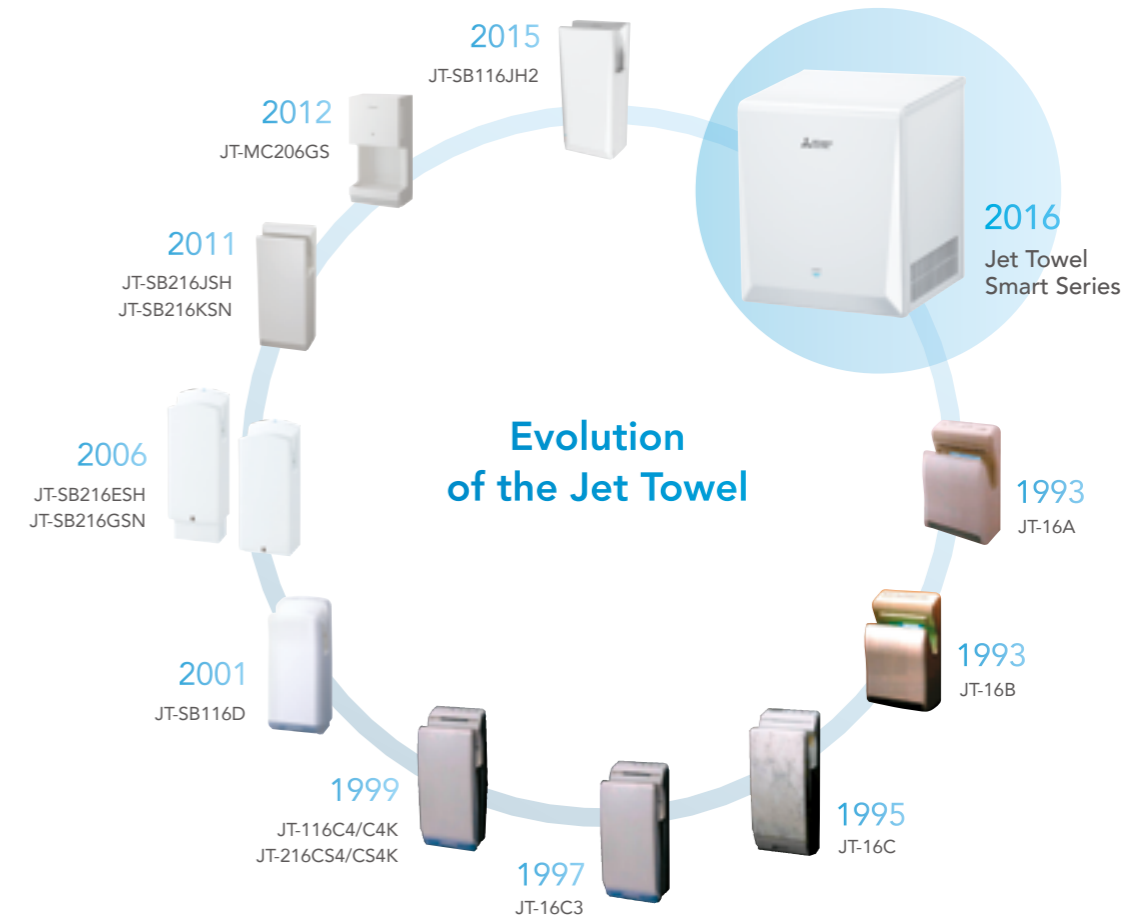
Compact EV motor drive systems
Our 60kW electric vehicle (EV) motor drive prototype, with a reduced cubic volume of 14.1 liters, is the smallest in its class.



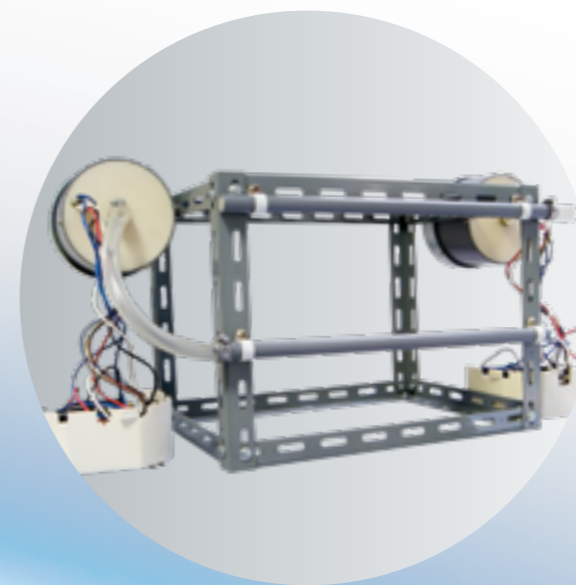
Hole-piercing Laser-processing Technologies for Printed Circuit Boards
High-speed, precise laser processing enables printed circuit boards to be pierced at 4,500 holes per second; an FA technology supporting the evolution of smartphones.



Transforming Equipment Development Technologies
We verify the reliability of our transforming equipment by simulating severe natural environments, including extreme cold/heat, lightning strikes and earthquakes at the world's largest testing facilities.

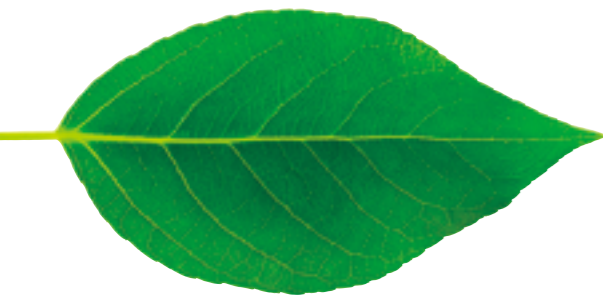


The World's First High-speed Jet Hand Dryer



The first concept model for the Jet Towel (1992)

In 1992, new advances in compact DC brushless motor technology were developed at the Nakatsugawa Works, a Mitsubishi Electric factory located in Central Japan. While thinking of applications for the new motor, engineers came up with the novel idea of using high-powered jets of air to rapidly blow water off of the hands instead of relying on evaporation like conventional electric dryers. As a result, the Jet Towel was officially released in 1993 and hand drying has not been the same ever since.



The Greener Choice

Eliminate the Problems of Paper Towel Maintenance



The Performance Pick

Mitsubishi Electric Jet Towels — The obvious choice

Economical

The cost of constantly replacing paper towels each day can be staggering. Because the Jet Towel only uses electricity to operate, operating cost is significantly lower.

97%

Approximate reduction in running cost

Assumptions: 1. Electricity rate of ¥0.21/kWh, 2. 2 paper towels consumed per use, at ¥0.01/towel. Excludes cleaning and paper garbage disposal costs.

*Calculated with JT-SB216JSH2 specifications

Eco-friendly

The Jet Towel does not create any waste, eliminating the trouble of waste disposal and conserving forest resources at the same time. Switching to the Jet Towel sends a positive message to the users about a facility's attitude towards the environment.

Zero Waste



Eliminate the mess and cost of paper towels

Easy Maintenance

Paper towels need to be constantly refilled and paper garbage removed throughout the day. Jet Towels require minimal maintenance, freeing up service staff to do other important tasks.

High User Satisfaction

Empty paper towel dispensers and overflowing garbage cans create a negative impression on restroom users. Jet Towels never "run out" and dry hands in about the same amount of time.

Outstanding Performance

9-11 sec
High speed

High-speed settings, heater on

550 W
Energy-saving

Standard speed settings, heater off

56 dB
Low noise

Standard speed settings

*JT-SB216JSH2 specifications

Amazingly quick and quiet hand dryers

The noise of a hand dryer can be very distracting, especially in quiet environments such as offices, schools, or hotels. Leave it to Mitsubishi Electric to design products that not only dry hands quickly, but do it quietly as well. Over 20 years of experience, numerous design improvements, and new technological developments have led to the quietest Jet Towels yet. A mere 56dB when using the standard speed setting, the Slim model is even quieter than an average conversation!

Comfortable use for anyone

People come in all shapes and sizes. From small children and adults to those in wheelchairs, Jet Towels can accommodate any user. Hand drying areas are large and roomy, and air speeds are kept at a reasonable level for comfortable drying. Who would want their hands blown against a dryer wall?

Energy efficient too!

As the pioneer of high-speed hand drying, Mitsubishi Electric knows that it is not the most energy efficient to focus on only air speed to improve performance. Instead, Jet Towel evolution has proceeded along the more sensible route — researching smarter nozzle designs and striking the right balance between air speed and volume for greater drying efficiency. Throw in the high quality and long reliability that Mitsubishi Electric is known for, and you'll find a no-brainer investment.

Jet Towel Product Lineup

The product lineup has expanded with the addition of the Jet Towel Smart Series. These hand dryers are compact, durable, and powerful, making them suitable for a wide range of applications. In addition, the original "slim" type has been further improved, for even quieter operation.

From offices and airports to schools and nursing homes, there is a Jet Towel suitable for every restroom.

9th generation dual-nozzle flagship model

Jet Towel Slim

with heater

JT-SB216JSH2

White / Silver / Gray

w/o heater

JT-SB216KSN2

White

- Amazingly quiet at 56dB (operating at standard speed)!
2dB improvement over previous model
- Stronger front and back panels for greater impact resistance



Compact but powerful, with a protective metal cover

Jet Towel Smart

with heater

JT-S2AP

White / Silver

A heater-less version of the Jet Towel Smart, with a highly durable plastic cover

Jet Towel Smart Lite

w/o heater

JT-S2A

White

- High-speed drying with low energy use and quiet operation
- Robust, tamper-resistant body (JT-S2AP equipped with metal cover)
- Quick 0.1sec response time improves user experience



Mitsubishi Electric Quality — The difference is in the details

Hygienic features

Certified by NSF International

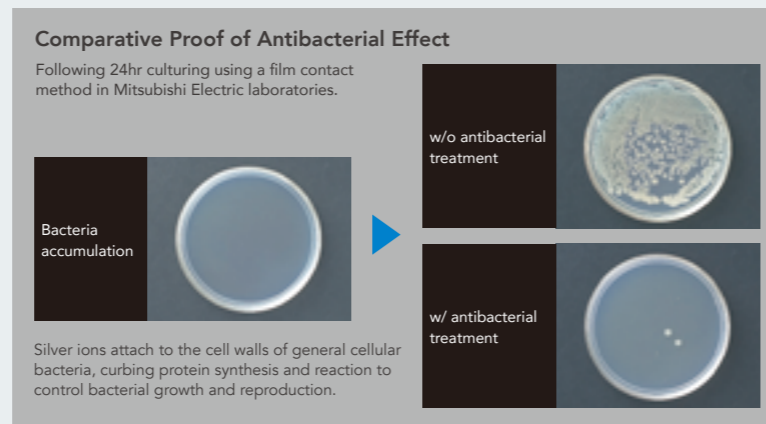
NSF International, an independent third-party public safety health and standards organization, has certified Jet Towels to be compliant to its rigorous requirements (NSF/ANSI 169).

*NSF certified models: JT-SB216JSH2, JT-SB216KSN2, JT-S2AP, and JT-S2A



Antibacterial Plastics

The plastics used in Jet Towels curb the growth of bacteria on the surface. The secret is the metal ions added into the resin, which work to inhibit the functions of bacteria and reproductive growth.



No-touch Design

Jet Towels are activated automatically when hands pass through infrared sensors in the spacious drying area. Compared to competitors' products, Jet Towels are designed with lower airspeeds to avoid blowing users' hands against the wall of the unit.

Safe for Alcohol Cleaning

Normal plastics react with alcohol, which can result in cracking and damage. Jet Towels use high-grade plastic that can be safely cleaned with cleansers containing alcohol (less than 83% ethanol content).

*Excluding the front panels of JT-SB216JSH2-S-NE and JT-S2AP-S-NE



Mitsubishi Electric quality

High-quality Motor

The high-precision motors used in Jet Towels are developed and manufactured to strict specifications entirely at Mitsubishi Electric. In-house testing results estimate a motor life of over seven years for the Slim and Smart models.

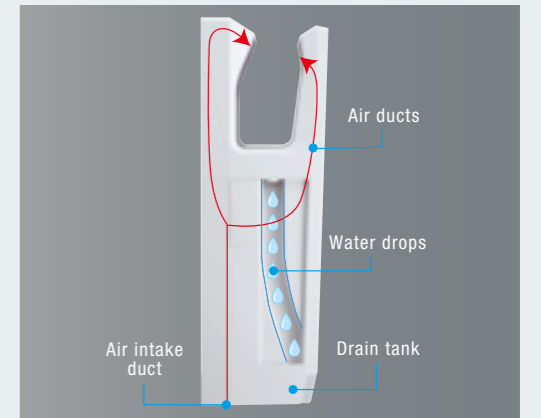
*Motor life varies with frequency of use. Estimates calculated based on 400 users per day for JT-SB216JSH2 and 120 uses per day for JT-S2A/S2AP.



High level of safety

Separated Air Intake

In all models, the air intake is located separately from the output nozzles to reduce the risk of water intake.



Metal Enclosure

High-voltage circuit boards are completely covered by a protective metal enclosure. In the highly unlikely event of a fire occurring, flames are sealed in and cannot spread outside of the barrier.

Fire-resistant Parts

Internal parts are made from flame-resistant UL94V-0 and UL94V-5VA-grade materials to prevent fire.

Temperature and Current Fuses

Multiple fuses located throughout the unit protect the user from over-current and over-heating. Operation is halted instantly if conditions are abnormal.



| | NSF*1 certified | Antibacterial plastic | No-touch design | Alcohol-safe | Drain tank | Motor type | Metal circuit board enclosure | Fire-resistant parts | Safety fuses |
|------------------------------|-----------------|-----------------------|-----------------|--------------|------------|---------------|-------------------------------|----------------------|-------------------------------|
| Jet Towel Slim | ● | ● | ● | ● | ● | DC brushless | ● | ● | Thermal fuses / Current fuses |
| Jet Towel Smart / Smart Lite | ● | ● | ● | ● | | AC commutator | ● | ● | |

*1 NSF/ANSI 169

9th Generation Slim Series

The latest evolution of the original dual-jet hand dryer



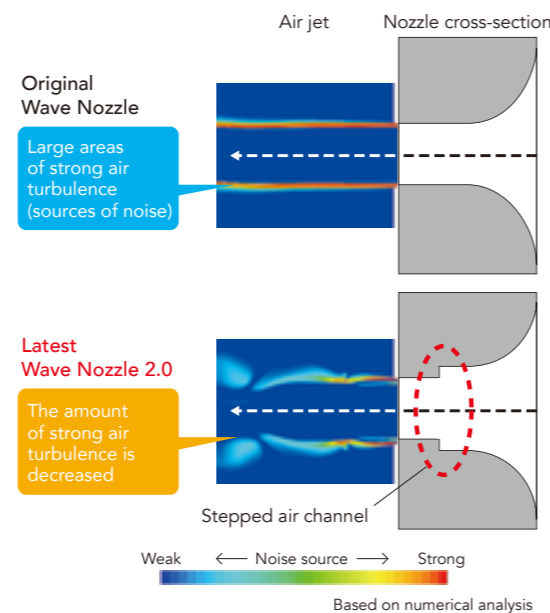
- Antibacterial surfaces*1
- Designed for alcohol cleaning*1
- Quiet operation 56dB
- Drain tank
- Dual air nozzles
- Reinforced front and back panels
- PTC heater*2

*1 Excluding front panel of JT-SB216JSH2-S-NE
*2 Available for JT-SB216JSH2

Ultra-quiet operation

Wave Nozzle 2.0

The patented wave nozzle has been further improved. Developed from fluid control technology, sound-causing turbulence has been further decreased, achieving a large 2dB reduction in noise.



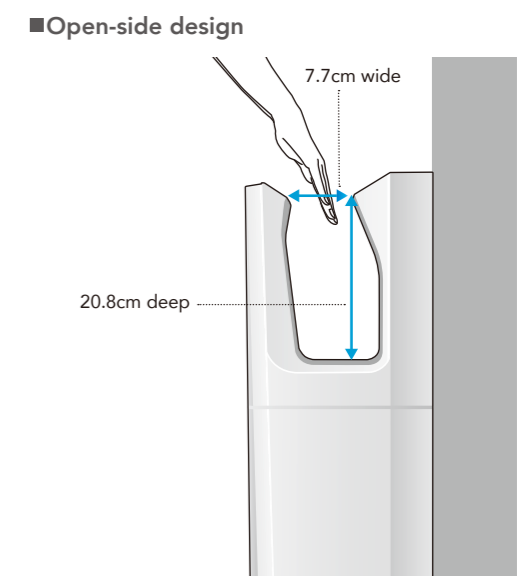
Comfortable to use

Large 6.8L Drying Area

The space to insert hands is a wide 7.7cm at the narrowest point and 20.8cm deep. The large drying area makes it easier to dry hands without accidentally touching the unit.

Child-friendly Design

Alternate child sensors are placed inside of the drying area to detect small hands entering from the sides.



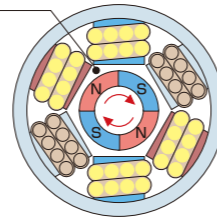
Long-lasting reliability

High-efficiency Brushless DC Motor

This high-precision motor is completely developed and manufactured entirely by Mitsubishi Electric. In-house testing results show a motor life of over seven years of use (400 uses per day).

Brushless DC Motor

Contact-free rotor eliminates wear and tear.



Reinforced Protective Panels

Newly designed front and back panels make the latest Jet Towel Slim more robust and impact-resistant. The panels have been tested to withstand an impact of up to 15J, or the equivalent of dropping a 1kg steel ball from a height of approximately 1.5 meters.

Simplified maintenance

0.8L Drain Tank Keeps Floors Dry

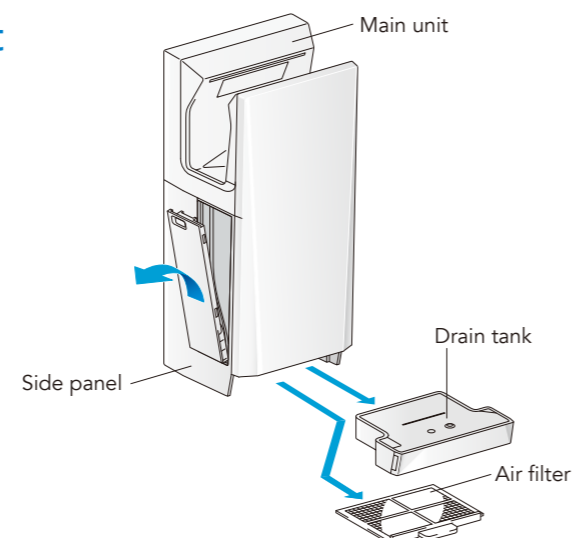
Water blown from hands is caught and channeled into a convenient drain tank for easy removal. It stores up to approximately 800 uses (0.8L), and requires only periodic emptying and quick rinsing. In the 9th-generation model, the drain tank is the same color as the body, making it less conspicuous to prevent tampering.



A small window indicates the level of water collected.

Easy Access Air Filter and Drain Duct

The washable air filter and drain duct are easily accessible, making quick and thorough cleaning possible. No tools or time-consuming disassembly required.



Specifications

| | Power supply | Mode | Heater | Drying time*1 (sec) | Power consumption (W) | Noise*2 (dB) | Motor type | Hygienic features | External dimensions (mm) | Weight (kg) | Drain tank (L) |
|-----------------------------|---------------------|------|----------|---------------------|-----------------------|--------------|--------------|--|---|-------------|----------------|
| Jet Towel Slim JT-SB216JSH2 | 220-240V 50-60Hz | High | ON | 9-11 | 1240 | 59 | Brushless DC | - Antibacterial surfaces - NSF*3 certification - Alcohol-cleanable | Width: 300 Depth: 219 Height: 670 | 11 | 0.8 |
| | | | OFF | 11-13 | 720 | | | | | | |
| Standard | | ON | 11-13 | 1070 | 56 | | | | | | |
| | | OFF | 12-14 | 550 | | | | | | | |
| Jet Towel Slim JT-SB216KSN2 | 220-240V 50-60Hz | High | — | 11-13 | 720 | 59 | Brushless DC | - Antibacterial surfaces - NSF*3 certification - Alcohol-cleanable | Width: 300 Depth: 219 Height: 670 | 11 | 0.8 |
| | | | Standard | — | 12-14 | | | | | | |

*1 Time needed to reduce remaining water to 50mg or less per hand (in-house study).

*2 Measurements made in anechoic chamber at a distance of 2m.

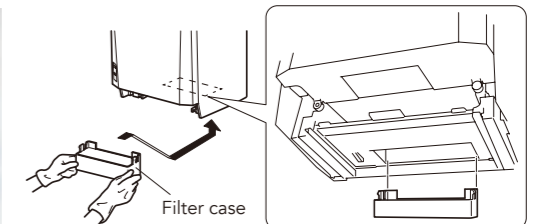
*3 NSF/ANSI 169

Optional Antibacterial Filter

JP-FS1-E (For JT-SB216JSH2/KSN2)

Hygienic & Easy to Install

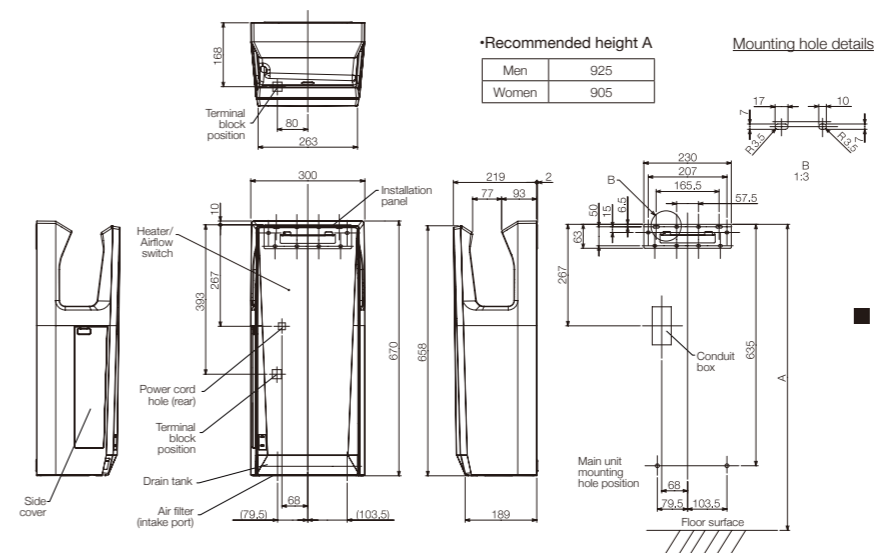
A newly developed antibacterial filter increases dust and bacteria filtration and makes the Jet Towel more hygienic. No special tools required to install/replace.



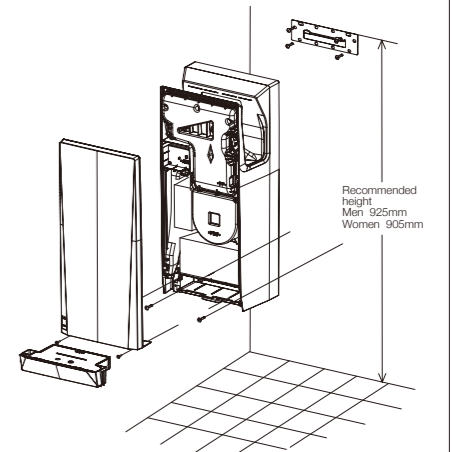
* Estimated replacement cycle: About four months.

* Cannot be installed while the optional stand is installed on the unit.

Dimensions



Mounting Diagram



- For fastening main unit mounting screws, use a Phillips(+) screwdriver with a shaft length of at least 150mm.
- Mount the unit so that the left-side cover is removable and the rating label is visible. (At least 150mm, but 200mm or more is recommended. Embedded portion is excluded.) Allow 200mm or more to enable the water drainage duct to be checked after cleaning.
- Allow at least 130mm between the bottom surface (air-intake port) of the unit and the floor surface.

(Unit: mm)

Jet Towel Smart



*Jet Towel Smart Lite available only in white

- Antibacterial surfaces*1
- Designed for alcohol cleaning*1
- Quiet operation 58dB
- Robust design
- Quick start 0.1sec response
- Protective steel shell*2
- PTC heater*2

*1 Excluding front panel of JT-S2AP
*2 Available for JT-S2AP models

Smarter drying

— Industry Top-class Drying Performance and Energy Efficiency

The engineers at Mitsubishi Electric have simultaneously achieved amazing 9-12sec drying performance and the lowest power consumption in Jet Towel history.

Tough exterior

The protective steel outer shell and ABS plastic body are designed to take quite a beating. They have been tested to withstand 15J, which is more than two times the energy of an average impact*. The IPX-3 rating for water resistance means that it is also protected against water infiltration from spraying water.

*Mitsubishi Electric estimates



*The above image is for illustrative purposes only. For your safety, please do not attempt to damage the product.

Comfortable to use

Large Drying Area

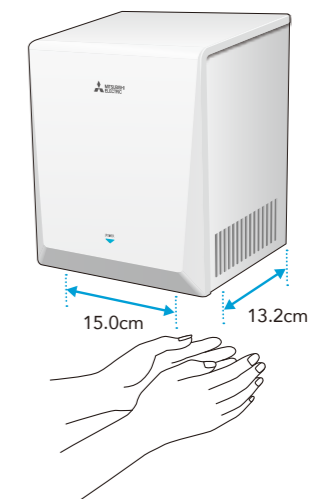
With 13.2cm between the air nozzles and the wall, there is even more than enough space for large hands to dry comfortably.

0.1sec Quick Response

Optimized hand sensors quickly react to users' input for a more positive user experience. It takes less than 0.1sec for the unit to detect hands and begin dispensing air.

15cm Wide Nozzle

The wide nozzle spreads airflow across a large area, enabling both hands to be covered at the same time.



Other smart features

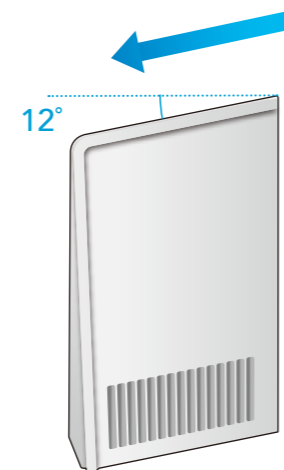
Easy Air Filter Maintenance

The air filter is important as it prevents excess dust and dirt from accumulating inside of the unit. The filter is placed conveniently right up against the side of the intake grill, allowing for quick cleaning without any disassembly required!



Smart Tilted Roof Design

The top of the Jet Towel Smart is tilted at a 12° angle to prevent users from leaving unwanted trash and other objects on the unit.



Specifications

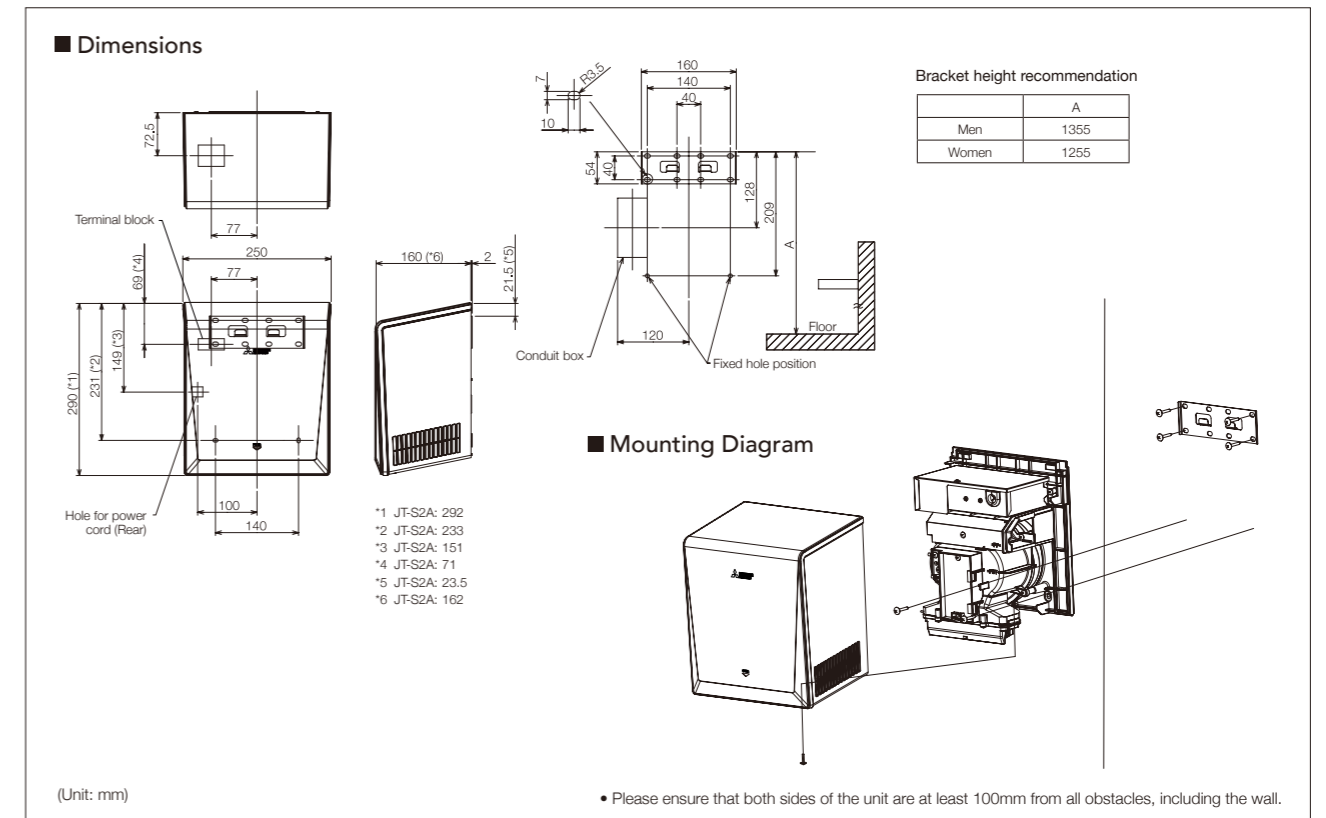
| | Power supply | Mode | Heater | Drying time*1 (sec) | Power consumption (W) | Motor type | Noise*2 (dB) | Hygienic features | External dimensions (mm) | Weight (kg) |
|---|---------------------|----------|--------|---------------------|-----------------------|------------------|--------------|--|---|-------------|
| Jet Towel Smart JT-S2AP (Metal cover) | 220-240V 50-60Hz | High | ON | 9-12 | 880-980 | Commutator motor | 60-62 | - Antibacterial surfaces - NSF*3 certification - Alcohol-cleanable | Width: 250 Depth: 160 Height: 290 | 4.5 |
| | | | OFF | 10-13 | 630-730 | | | | | |
| | | Standard | ON | 14-16 | 660-740 | | | | | |
| | | | OFF | 15-17 | 410-490 | | | | | |
| Jet Towel Smart Lite* JT-S2A (ABS body) | | High | — | 10-13 | 630-730 | 60-62 | | Width: 250 Depth: 162 Height: 292 | 4 | |
| | | Standard | — | 15-17 | 410-490 | 58-59 | | | | |

* Jet Towel Smart Lite available only in white.

*1 Time needed to reduce remaining water to 50mg or less per hand (in-house study).

*2 Measurements made in anechoic chamber at a distance of 2m.

*3 NSF/ANSI 169



Customized color options available

Jet Towel Smart and Smart Lite are available in customized colors for large orders. Your logo can also be added to give each unit a signature look. It's a great way to boost awareness and promote your business.



