

Dehumidifier

# RECUSORB DR-031C



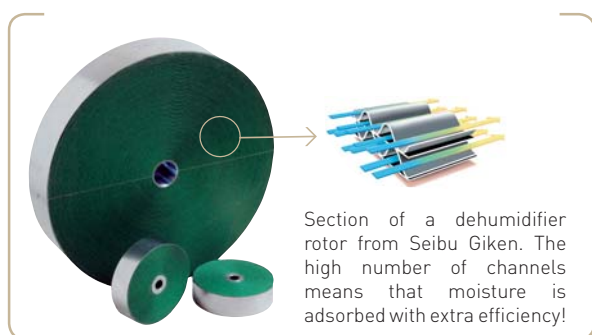
Dehumidifying capacity at 20°C / 60%RH

**1.6 kg/h**

Dry air flow

**310 m<sup>3</sup>/h**

- Washable rotor
- No desiccant carry-over
- Stainless steel chassis
- Self-regulating heater
- Easy to maintain
- Long lifetime

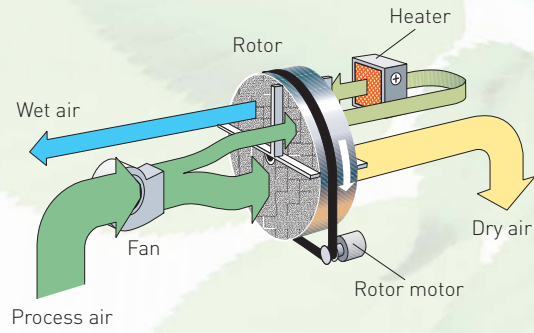


Section of a dehumidifier rotor from Seibu Giken. The high number of channels means that moisture is adsorbed with extra efficiency!



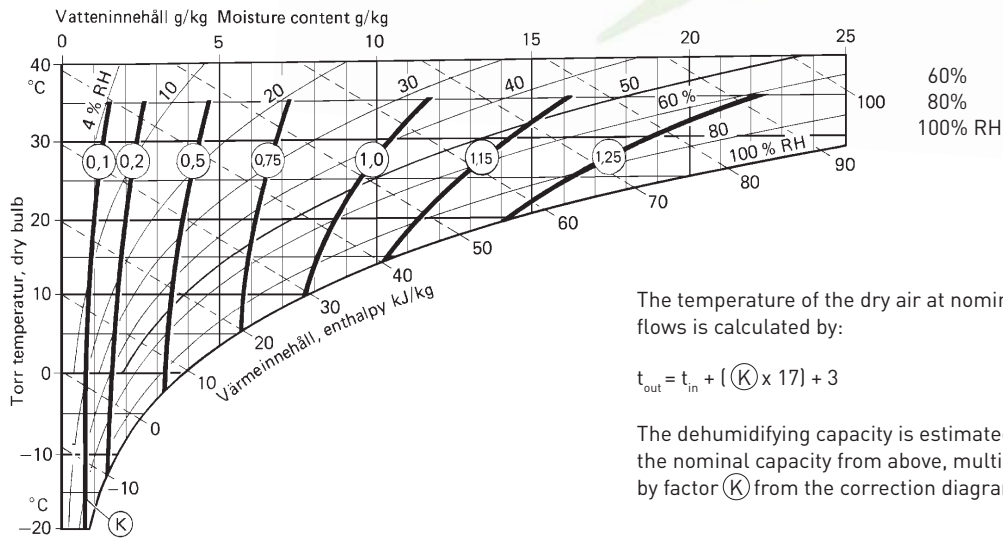
# TECHNICAL DATA

Dehumidifier model	DR - 031C
Nominal capacity <sup>1</sup> (kg/h)	1.6
Dry air flow <sup>2</sup> (m <sup>3</sup> /h)	310
Static pressure at disposal (Pa)	350
Wet air flow <sup>2</sup> (m <sup>3</sup> /h)	110
Heater current <sup>4</sup> (A)	8
Maximum electric consumption (kW)	2.1
Supply fuse 230V / 50Hz, (A)	10
Weight (kg)	28

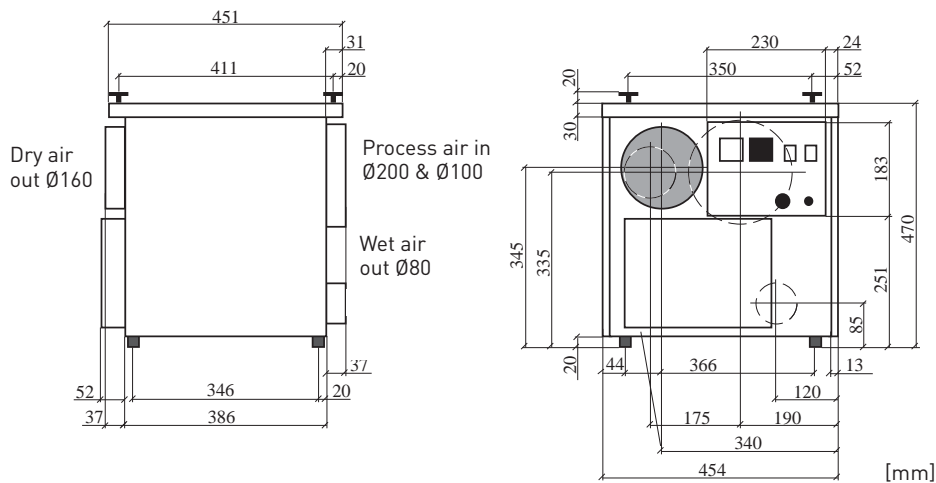


- <sup>1</sup> Valid for inlet conditions 20°C / 60% RH. For other inlet conditions the capacity can be calculated by using the correction factor from the diagram shown below.
- <sup>2</sup> Volume flow for density 1.20 kg/m<sup>3</sup>.
- <sup>2</sup> Volume flow for density 1.20 kg/m<sup>3</sup>. Free blowing.
- <sup>4</sup> The design of the PTC heater enables the power to be regulated by controlling the wet air flow.

# CORRECTION DIAGRAM



# DIMENSIONS



Subject to change without notice. Download installation drawing at [www.dst-sg.com](http://www.dst-sg.com)

Seibu Giken DST AB

Avestagatan 33 | SE-163 53 Spånga, Sweden

Tel +46 8 445 77 20 | Fax +46 8 445 77 39

[www.dst-sg.com](http://www.dst-sg.com) | [info@dst-sg.com](mailto:info@dst-sg.com)

OÜ KLIIMASEADE

Laki 14A, 10621 Tallinn, tel 639 1430  
[kliimaseade@kliimaseade.ee](mailto:kliimaseade@kliimaseade.ee)

Ringtee 37A, 50105 Tartu, tel 730 4536  
[tartu@kliimaseade.ee](mailto:tartu@kliimaseade.ee)

 **kliimaseade**  
[www.kliimaseade.ee](http://www.kliimaseade.ee)